

CHOMPIN CHAD Assembly Instructions

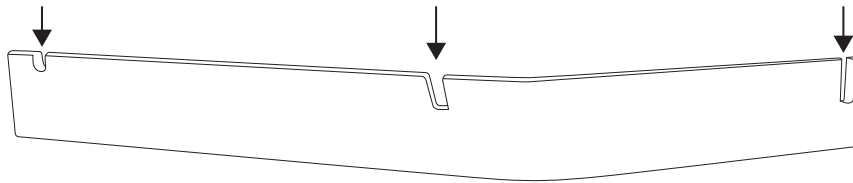
POP POP
TARGETS™

Please read safety information before use.

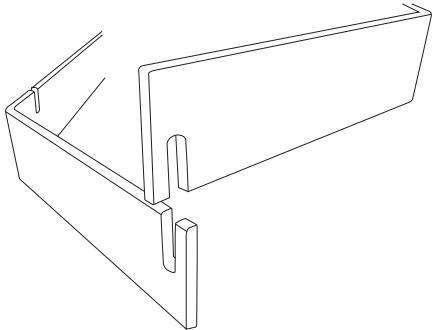
A: Ground Spike Notch

B: Target Footing Notch

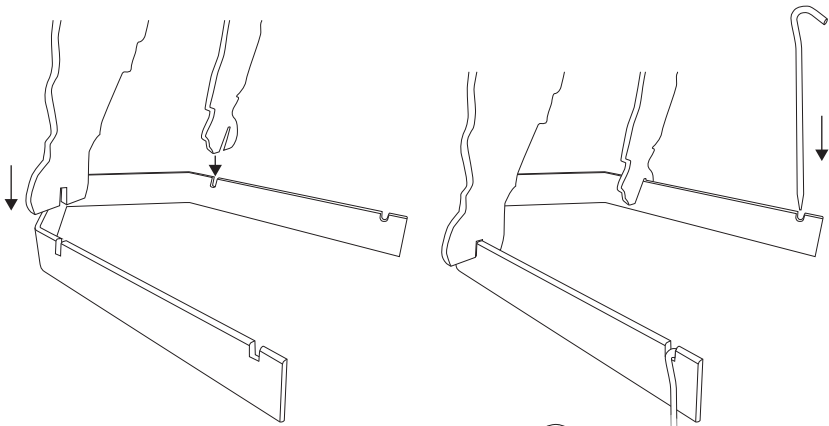
C: Stand Locking Notch



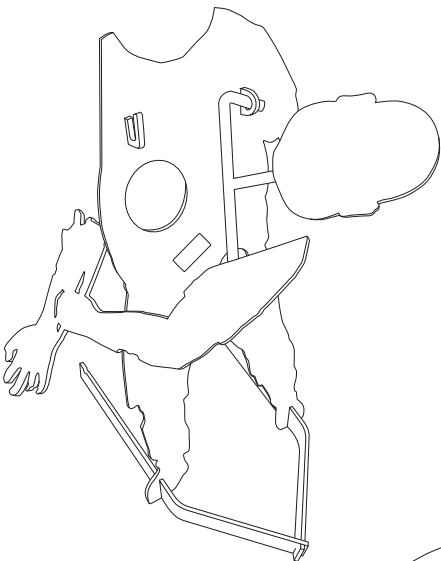
1 Slot piece **C** and **C** into each other.



2 With the front of the body facing **A**, align notches in feet with **B** and insert fully. Secure stand with ground spikes.

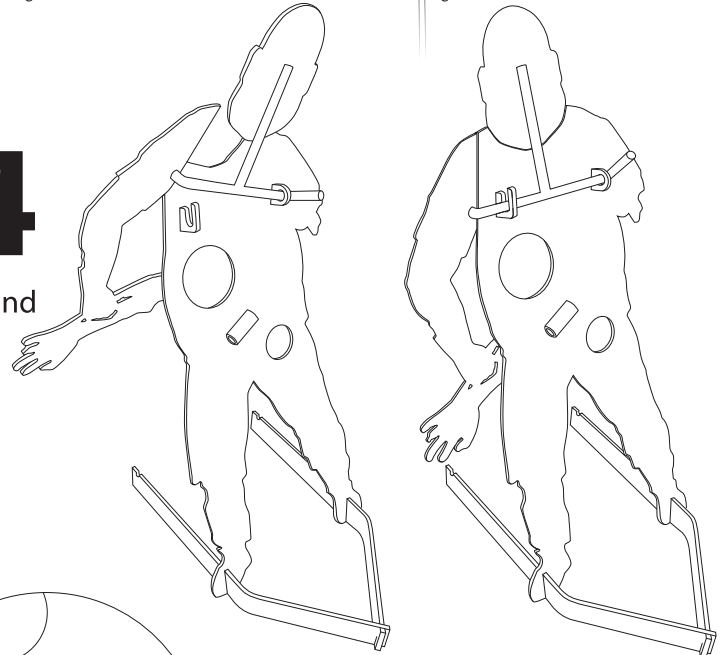


3 Align wrist with hip area and place rod through circle bracket.

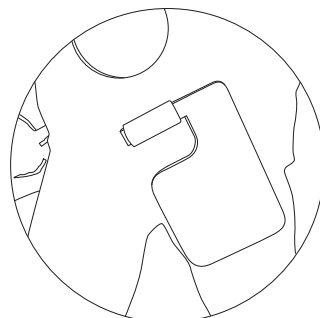
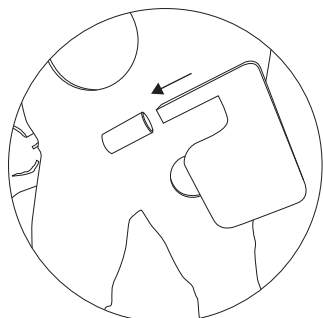


4

Rotate arm/head up and forward, then lower, ensuring bar lands in cradle bracket.



5 Insert paddle from top side.



**SHOOT SAFE.
HAVE FUN!**

Made In
Canada

DRUMMOND
SHOOTING

Riddleworks Enterprises Inc. - DBA Drummond Shooting
2711 Smith Street / Richmond, British Columbia / Canada, V6X 2J3

Drummond Pop Pop Targets is a
trademark of Riddleworks Enterprises Inc.